



SCP-3001D

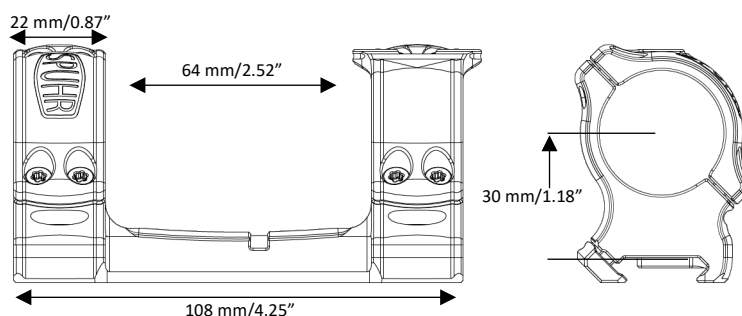
Interface Mount Ø30 H30mm/1.18" 0MIL PIC

Picatinny mount for use on bolt action rifles

Rings: 30 mm
Tilt: 0 MIL/MOA
Height: 30 mm/1.18"
Length: 108 mm/4.25"
Weight: 148 g/5.2 oz
Interfaces: 2 sets
EAN: 7340150712174



The Spuhr® Hunting Series of mounts features the diagonally cut rings of the Spuhr® Ideal Scope Mount System (ISMS™, US Patent 8,733,011) and implements them into a lightweight and aesthetically more pleasing mounting solution for the hunting market.



The SCP-3001D Interface Mount features two Spuhr Interface™ Top Covers, which can be installed as to position any of more than 40 different accessories in either the 12 or 3 o'clock position.

The mounts are machined from billet 7000 series aluminum and all aluminum parts are hardcoat anodized. The Torx 20 ring and clamping screws are zinc-nickel coated for corrosion resistance and come pre-waxed from the factory to ensure proper torque values. Furthermore, the SCP-series of Hunting Mounts can be installed for either right-handed or left-handed use.

The mount is shipped with a manual and a "wedge" leveling key.

NOTE:

The SCP-3001D is designed for use on rifles with MIL-STD-1913 or Weaver one-piece rails. The SCP-3001D will fit most 30 mm scope tubes except for scopes with extended erector housings, such as the US Optics TPAL/EREK.

CONTACT

Spuhr i Dalby AB

Phone: +46 46 712 012

Web: www.spuhr.com

Address: Terminalvägen 19
SE-246 42 Löddeköpinge
Sweden