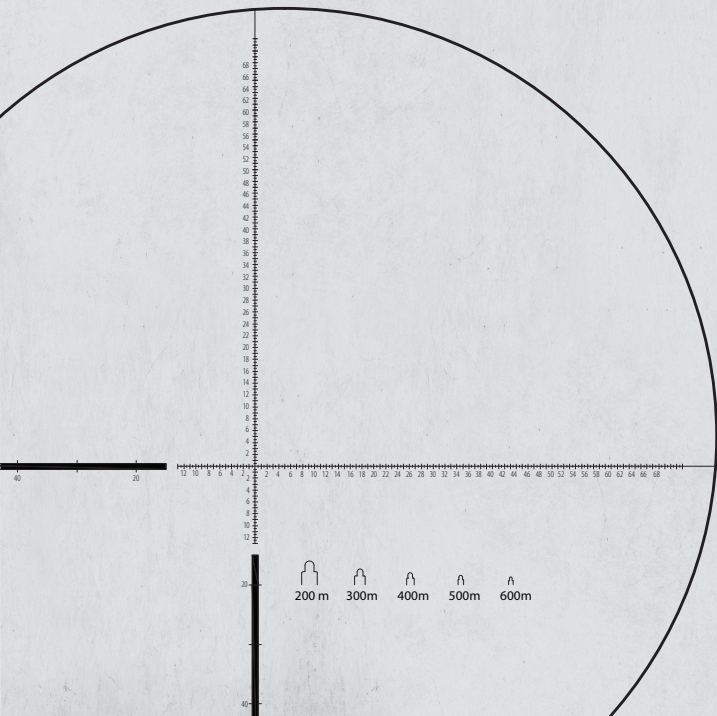


RECCE PRO[®]

MONOCULAR

Tactical Monocular Manual





The Vortex® RECCE Pro® Tactical Monocular

The RECCE Pro features XR fully multi-coated lenses and HD glass. Argon gas-purging, o-ring-seals, and ArmorTek coatings ensure the RECCE Pro is fully water and weather proof and can be used anywhere, any time, and any place.



Caution:

Monoculars are not intended for looking at the sun, or any other intense light source. Such viewing could damage the retina and cornea of your eyes—even to the point of causing blindness.

FEATURES

Lanyard

Thread the lanyard on one of the built-in loops on the monocular. The lanyard can be worn around the neck, or used as a safety cord when carrying it by the clip.

The MOLLE /PALS Compatible Pouch

The RECCE Pro comes with a pouch which may be attached to articles of gear or clothing using MOLLE/PALS straps. Between viewing sessions, safely store your monocular in the case. Note: If the optics are exposed to moisture, keep the caps off and allow it to dry out completely before putting it in the case for storage.

The Utility Clip

The versatile utility clip allows quick attachment to MOLLE/PALS webbing, a pocket edge or other equipment.

FEATURES



Attached Caps

The RECCE Pro has integrated objective and ocular lens caps. The ocular lens caps is designed to fit snugly inside the winged eyecup.

BASIC OPERATION

Adjust the Reticle Focus

1) Look through the monocular at a blank white wall or at the sky.

2) Slowly turn the reticle focus wheel until the reticle image is as crisp as possible. When focusing, look at the reticle with short, interrupted glances rather than an extended stare.

Once this is done it will not be necessary to re-focus the reticle with every use. However, your eyesight may change over time, you should adjust the focus periodically.

Adjusting the Eyecup

The heavy duty flared rubber eyecup folds up and down for optimal viewing with or without eyeglasses.

- Flared eyecup blocks stray light when fully extended.
- Eyecup folds down for viewing with eyeglasses.

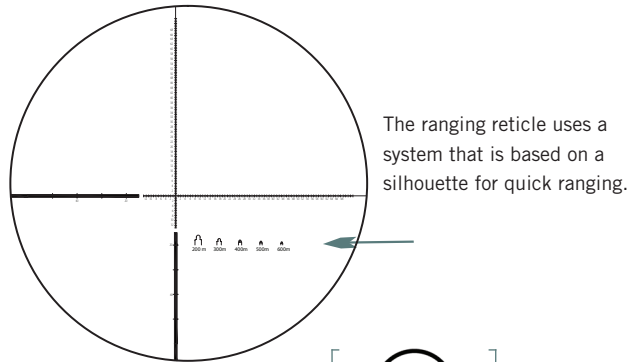


—Top focus wheel adjusts the reticle.

—Bottom focus wheel adjusts the image.

USING THE RANGING RETICLE

The ranging reticle is based on a form of angular measurement called the milliradian (mrad for short). These angular measurements allow a user to calculate ranges when comparing the reticle to objects of known dimension. The key to effective ranging using this reticle is knowing common objects in your vicinity and their measurements.



The ranging reticle uses a system that is based on a silhouette for quick ranging.

All silhouette dimensions are accurate at the listed ranges.

79cm / 31"

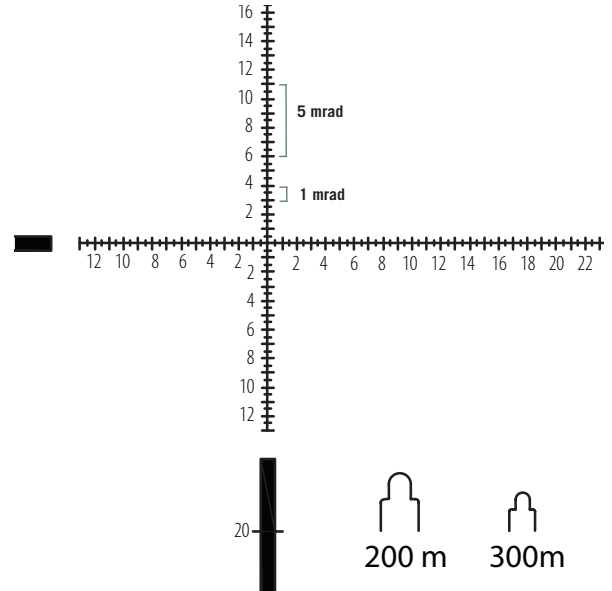
28cm / 11"

35cm / 14"

44cm / 17"

50cm / 20"

Subtensions



200 m 300 m

Ranging with mrad

Mrad measurements are very effective for ranging using simple formulas. Knowing the size of the target or a nearby object is essential to using these formulas.

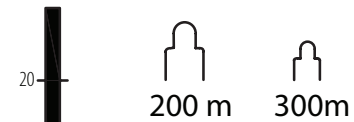
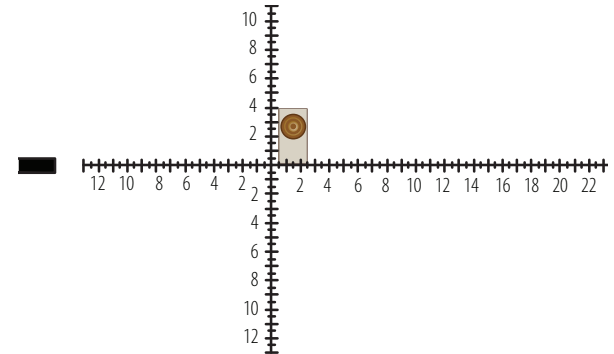
$$\frac{\text{Target Size (Yards) x 1000}}{\text{Measured mrad}} = \text{Range (Yards)}$$

$$\frac{\text{Target Size (Inches) x 27.8}}{\text{Measured mrad}} = \text{Range (Yards)}$$

$$\frac{\text{Target Size (Meters) x 1000}}{\text{Measured mrad}} = \text{Range (Meters)}$$

Using either the vertical or horizontal mrad scale, place the reticle on the target of known dimension and read the number of mrad spanned. Obtain maximum accuracy in ranging by calculating exact mrad measurements—try to estimate mrad measurement in 1/10s if possible.

Accurate measuring will depend on a very steady hold. Be sure to solidly brace when measuring. Once you have an accurate mrad reading, use one of the formulas to calculate the distance.



Ranging a 6-foot target (2 yards) at 4 mrad yields 500 yards.

$$\frac{2 \times 1000}{4 \text{ mrad}} = 500 \text{ Yards}$$

CARING FOR THE LENSES

Maintain the optical brilliance of this monocular by keeping the lens surfaces free of dirt, dust, and oils.

Protect Lenses While Out in the Field

Store the monocular in its custom carry case.

Keep Lenses Clean

Along with normal use comes the need to clean the monocular lenses. Follow these guidelines for cleaning:

1. Remove any dust or grit from lenses before wiping. Use a can of pressurized air or soft camel hair brush (acrylic optical brushes also work well).
2. Clear lens of smudges, fingerprints, or eyelash oil. Fog the lenses with your own breath and wipe with the non-abrasive lens cloth included with the monocular.

Other cleaning options:

Cleaning fluid and optical paper can also be used. However, you should never use facial tissue, heavy cotton, or flannel clothing on lenses—these materials can scratch the lens surfaces.

THE VIP WARRANTY

We build optics based on our commitment to your absolute satisfaction. That's why Vortex products are unconditionally guaranteed and we make this Very Important Promise to you—a Very Important Person.

Rest assured that in the event your monocular becomes damaged or defective, Vortex Optics will repair or replace the monocular at no charge to you. Call Vortex Optics at 800-426-0048 for prompt, professional, and friendly service.



Vortex Optics
2120 West Greenview Drive
Middleton, WI 53562
service@vortexoptics.com

Visit www.vortexoptics.com for more information.
Canadian customers may visit www.vortexcanada.net for customer service information.

Note: The VIP Warranty does not cover loss, theft, deliberate damage or cosmetic damage that does not hinder the performance of the product.



RECCE PRO[®]

MONOCULAR

WWW.VORTEXOPTICS.COM



RP-100 15

©Vortex Optics USA